



ImacoFire Co.

Fire Fighting Equipment



Fusible Plug





Fusible plug

Fusible plug consist of a plug with a lower melting point than the maximum operating temperature of the system that it is to protect.

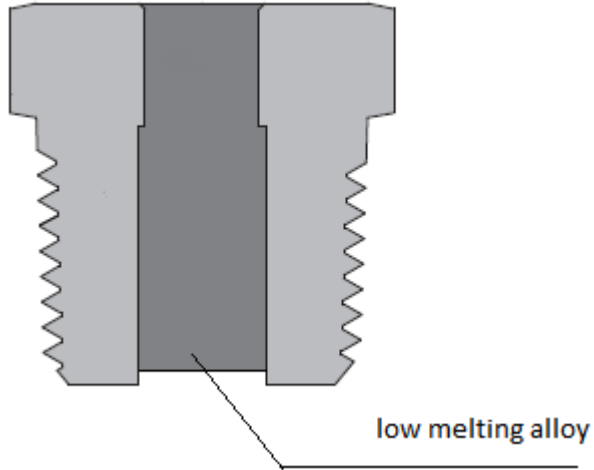
Automatic deluge valves shall be actuated by the relevant detection system but shall also include a manual operation capability. The preferred method of operation of automatic deluge valves is by fusible plug detectors.



Fusible fittings are pressure relief devices consisting of the body and the eutectic alloy. The eutectic alloy has a specific melting point. When the fitting is exposed to temperatures at or above this melting point, the eutectic alloy will melt and the pressure inside the fitting will be released to the atmosphere for protection of systems. The fusible fittings are mainly installed onto compression cylinders, oil and liquefied gas pipelines and stem boilers.

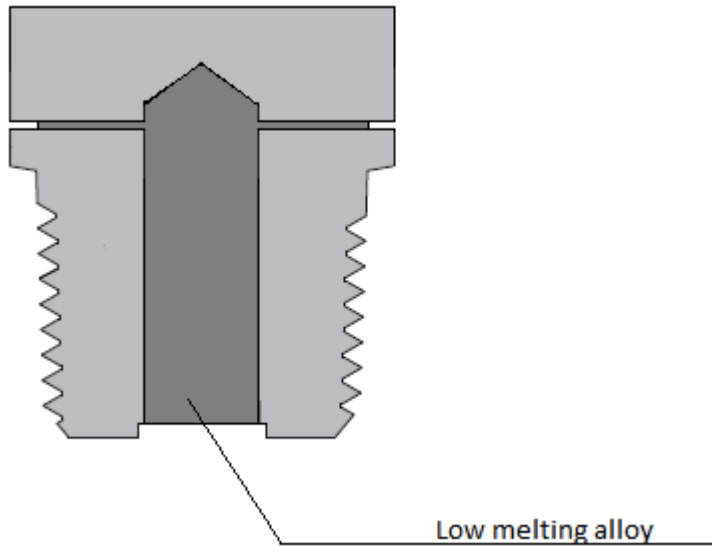


Construction



Low Pressure Type

Normal Working pressure: up to 16 bar g.



High Pressure Type

Normal Working pressure: 3000 & 6000 Psi g.



Fusible plug specification

- Eutectic alloy is filled in the stainless plug
- Fusible fittings are non-reusable and disassembled pressure relief devices
- Body material(Plug): Stainless steel(304,316,304L,316L) , Brass
- Melting point (°C): 70, 74, 92, 98, 125, 138 and 183
- Two type of Fusible plug: Low pressure & High pressure
- Connection size(inch): 1/4, 3/8, 1/2 and 1 NPT



Low pressure type



High pressure type



Ordering number description

SS - IMF - 6 - 160 - HP

Material		Series	Connection size		Melting point	Pressure rating	
SS	316 SS	IMF	4	¼"	70	HP	High pressure
S4	304 SS		6	3/8"	74	LP	Low pressure
6L	316L SS		8	½"	92		
4L	304L SS		10	1"	98		
BR	Brass				125		
					138		
					183		

