

POST INDICATOR VALE

Resilient-Seated Gate Valves with Vertical Wall Post Indicator



IMEN MAHAN ARYA

www.Imacofire.com

TECHNICAL DATA

<i>MODEL</i>	<i>IMF-PIV</i>
<i>NOMINAL SIZE</i>	<i>2", 2 1/2", 3", 4", 6", 8", 10"</i>
<i>Hydrostatic tested to pressure</i>	<i>16 barg</i>
<i>FLANGE CONNECTION</i>	<i>ASME B16.1/ASME B16.42 EN 1092-2/ISO 7005-2/ Drilled to ANSI 125/150, PN10/PN16, or AS 2129</i>
<i>FINISH</i>	<i>Red RAL 3000 polyurethane covered.</i>
<i>APPROVAL</i>	<i>UL , FM , TUV , Knowledge Base, University of TEHRAN</i>
<i>ORDERING INFORMATION</i>	<i>1. Gate Valve Size 2. Depth Buried</i>



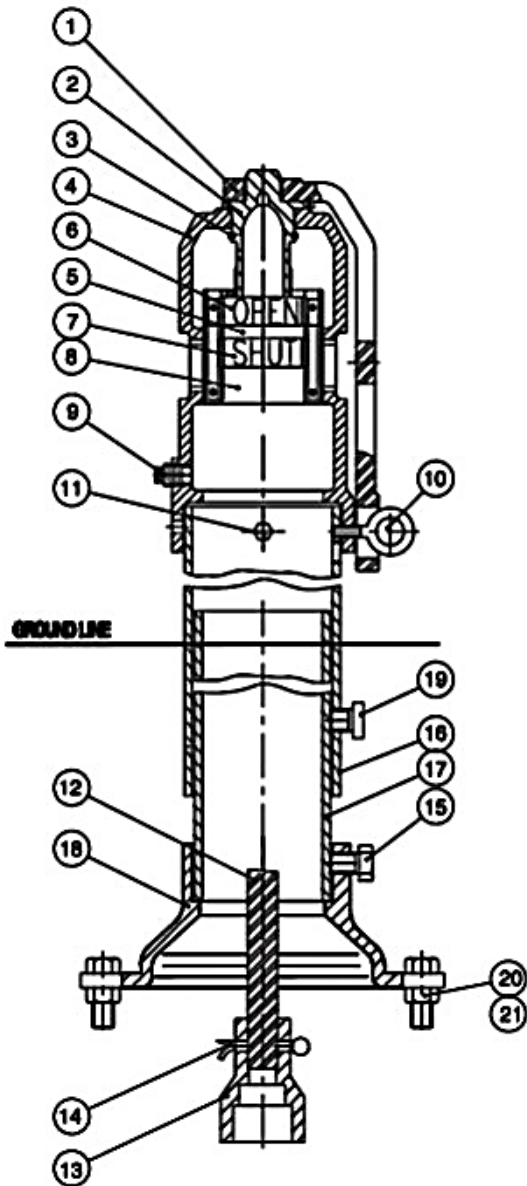
Description

The ImacoFire Vertical Indicator Posts are designed to operate non-rising stem (inside screw) gate valves, which are used to control an underground water supply to automatic sprinkler, water spray deluge, foam-water deluge, or standpipe fire protection systems. They permit operation of underground valves while providing an above ground visual indication as to whether the valves are open or shut, in addition to a means for locking the valves in a particular position. Indicator posts provide for valve operation from outside of the protected property and, therefore, the opportunity for more prompt valve operation in an emergency situation.



WARNING

Inspection and testing is to be carried out only by authorized and trained personnel. DO NOT TURN OFF the water supply or close any valve to make repair(s) or test the valve, without placing a roving fire patrol in the area protected by the system. Also inform the local security personnel and central alarm station, so that a false alarm is not signalled. It is recommended to carry out physical inspection of the system at least twice in a week. The inspection should verify that all the control valves and Tank are in proper position as per the system requirement and no damage has taken place to any component.



Item	Description
1	Locking Wench
2	Operating Nut
3	O-Ring
4	Top Section
5	Window Glass
6	Open Target
7	Shut Target
8	Target Carrier Nut
	Target Carrier Plate
	Clamp Target Retainer
	Pan Head
	Hex Nut
9	Pipe Plug
10	Eyebolt
11	Hex Capscrew
12	1" sq. Stem
13	Coupling
14	Cotter Pin
15	Screw
16	Telescoping Barrel
17	Lower Standpipe
18	Screw
19	Base Flange
20	Capscrew
21	Nut

ImacoFire Co.

Website: www.imacofire.com , Email: info@imacofire.com,

Tel: (+98)21-88971614-5 , Fax: (98)21-88334719, P.O.Box: 1439814448



CARE AND MAINTENANCE

It is recommended that Indicator Posts used to operate fire protection system water control valves be locked in the fully-open position using the Post Wrench. The locks must be sturdy and resistant to breakage except by heavy bolt cutters.

It is also recommended that once a month a visual inspection procedure be followed, with the following items checked:

1. The Post Head, Upper Barrel, and Windows have not been damaged.
2. The Targets indicate that the valve is open.
3. The Wrench is in place on the Indicator Post, and it is properly locked open.

In addition, on a quarterly basis, the Indicator Post should be closed two turns and then reopened tight to verify that the PIV is in the full open position and properly engages with the Post and, that the Supervisory Switch contacts (if applicable) properly change position.

Any damaged parts must be immediately replaced.

The Indicator Post should also be physically tried to be sure that the valve is in the fully-open position, if there are any damaged parts, sign of tampering, or the position of the valve is questionable.